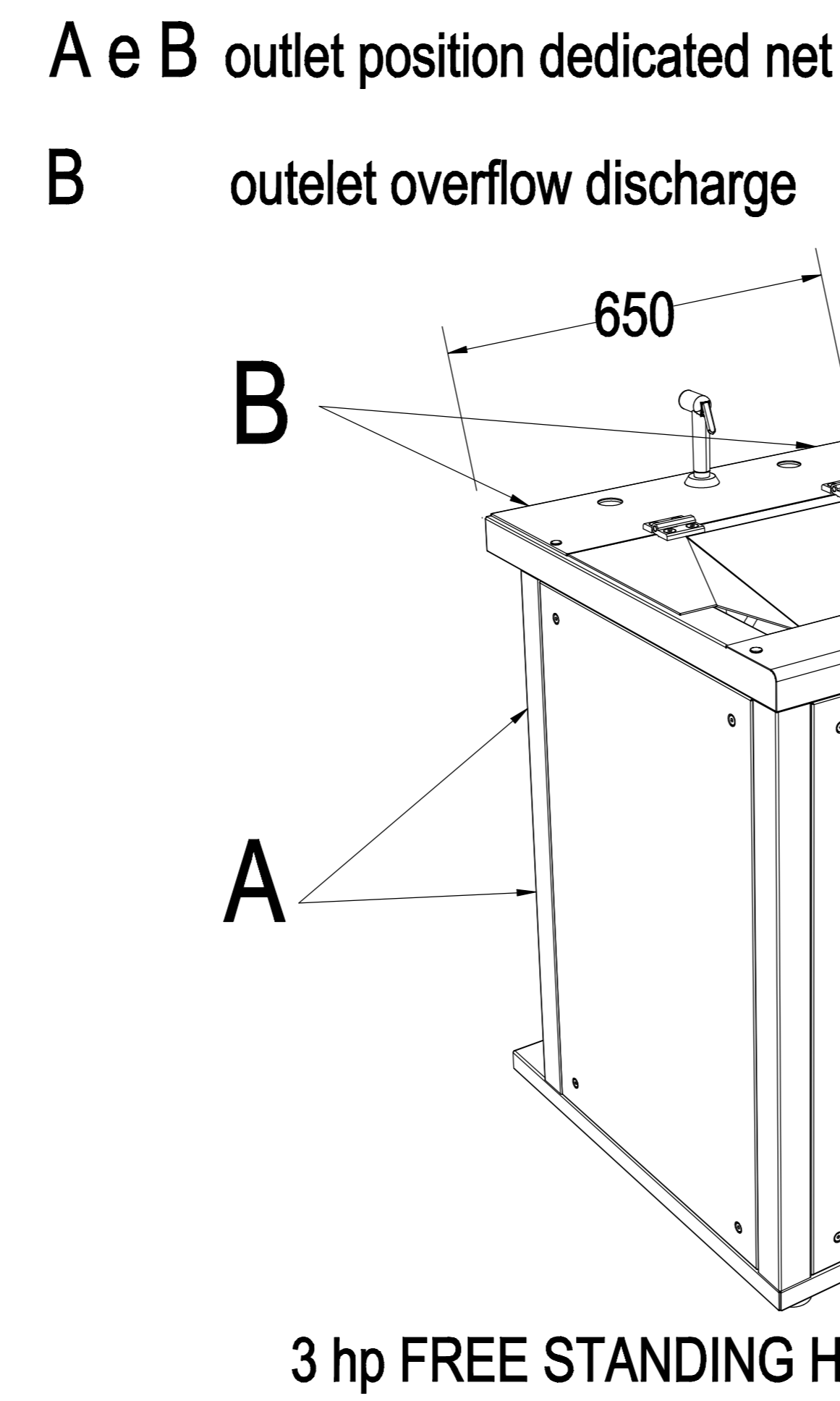
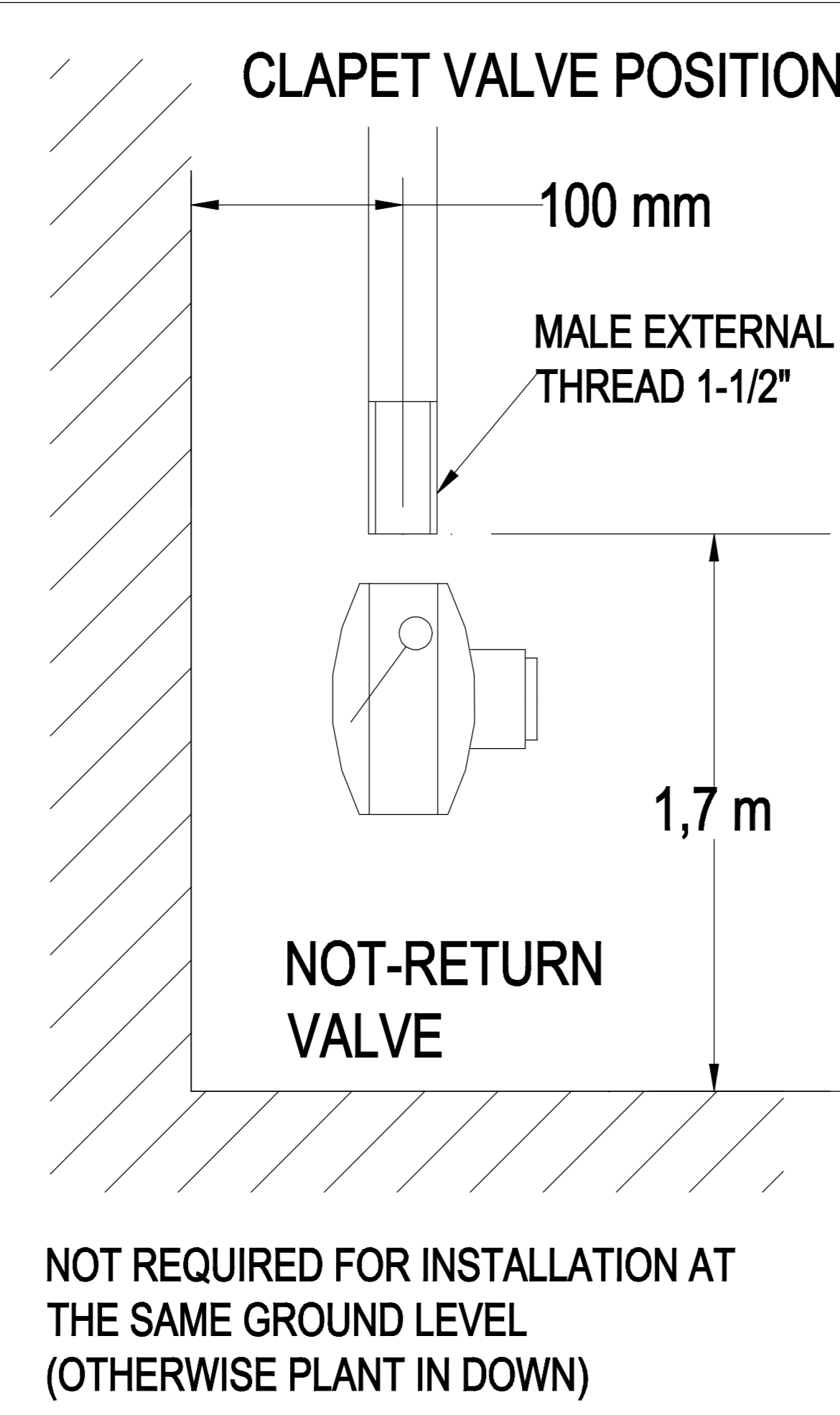


TECHNICAL SPECIFICATION

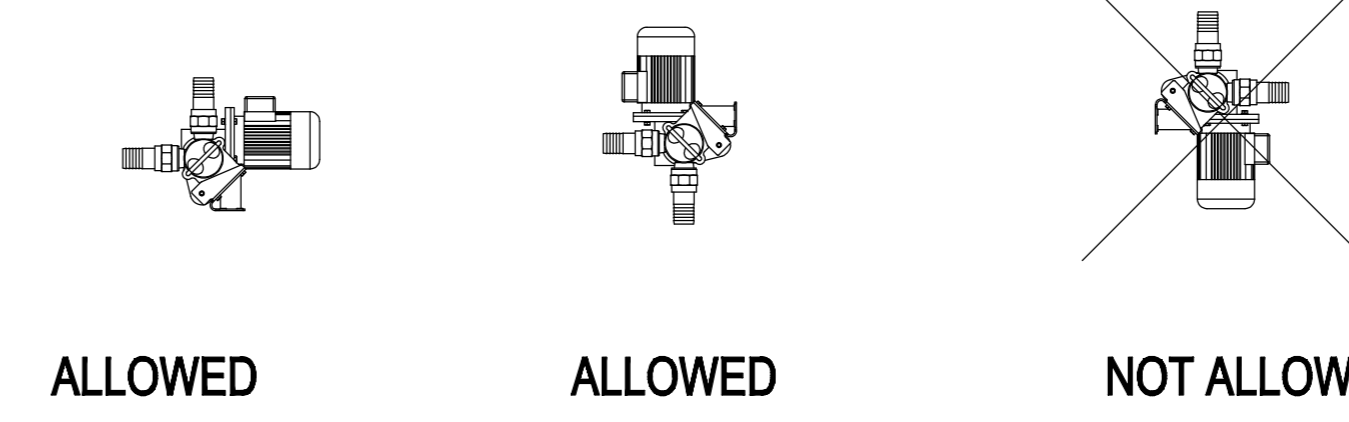
- WASTE TREATMENT SYSTEM
- DISCHARGE DEDICATED NET

- * PIPES Dn 50 mm MATERIAL PE PN4
 - * PIPES MUST BE JOINT BY ELECTRO FUSION FITTINGS
 - * INNER DIAMETER MIN 50mm MAX 56 mm
 - * L MAX= 65 m
 - * MIN SLOPE 3 %
 - * 1 ISPECTION AREA EVERY 20 m
- POSSIBLE SUPPLIER
www.wavin.com

note: level grater than PN4 and steel pipe are not necessary (only for aesthetical or projet requirement)

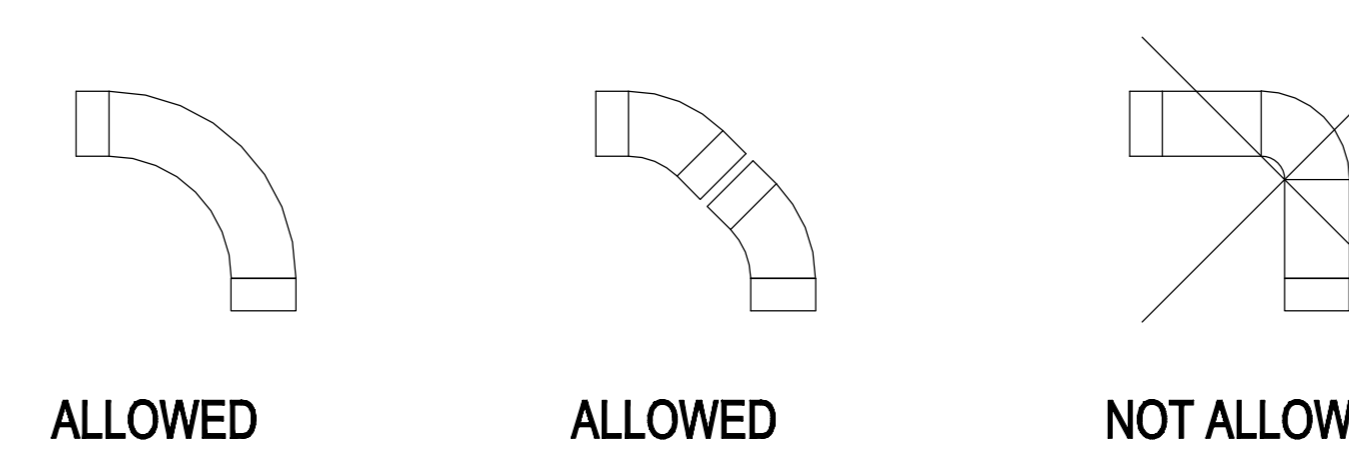


PUMP POSITION:

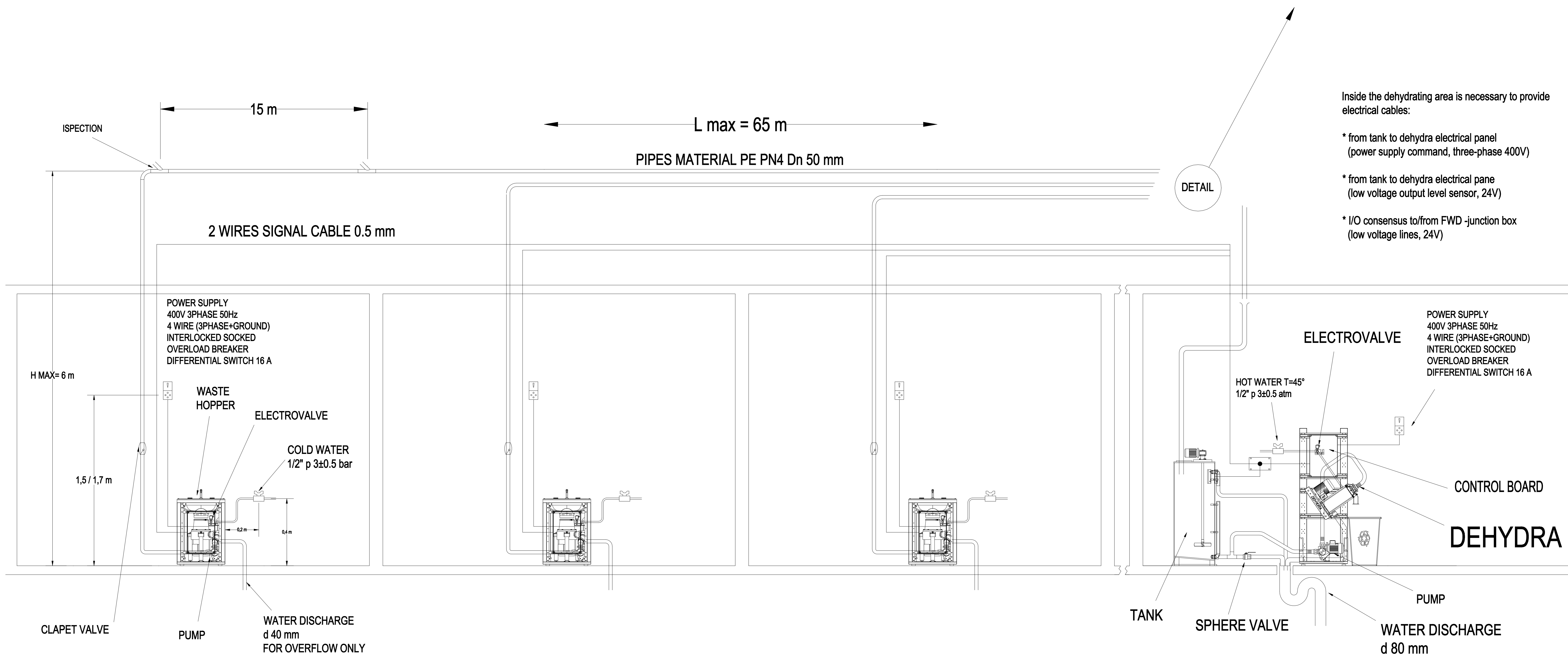
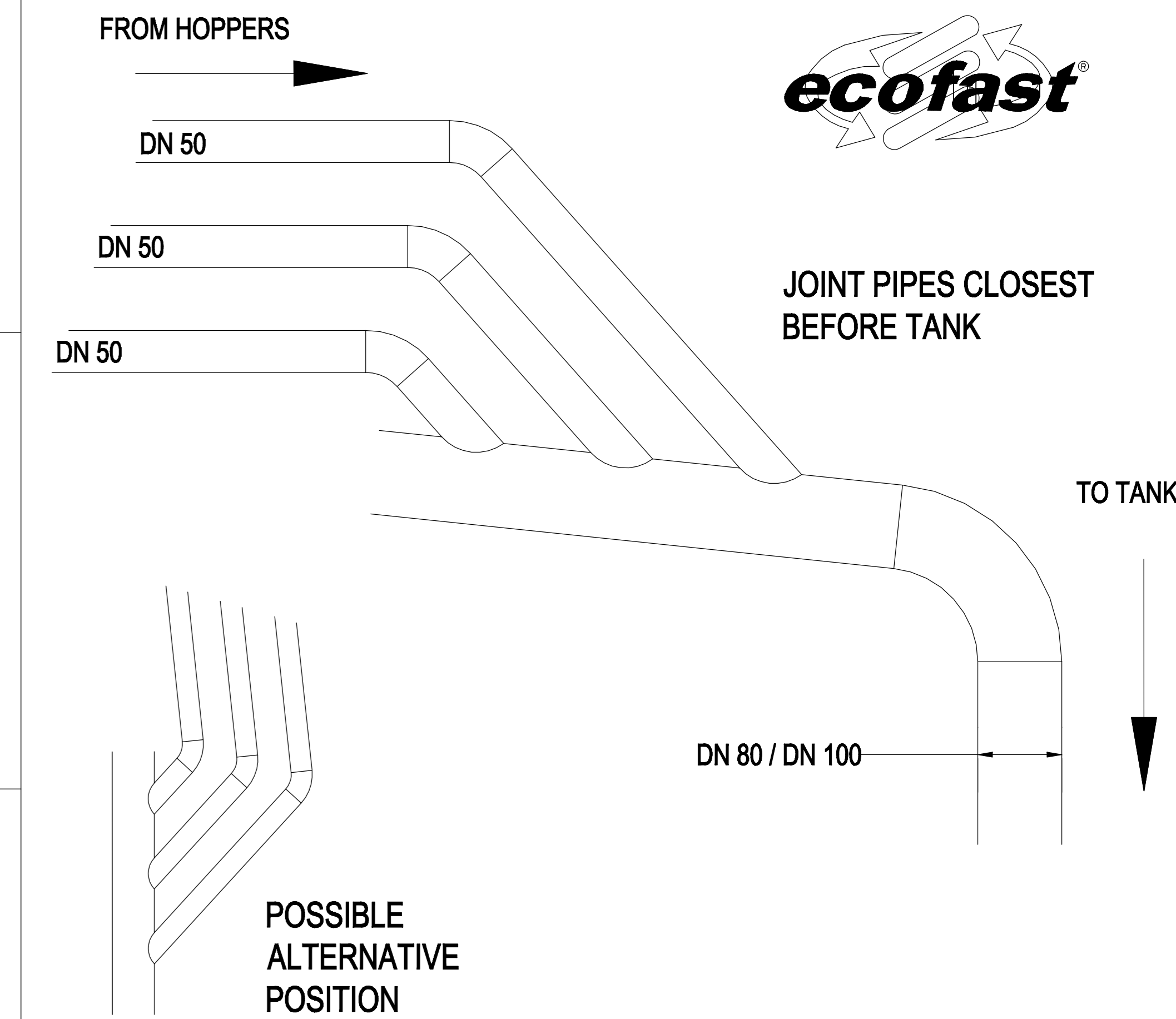
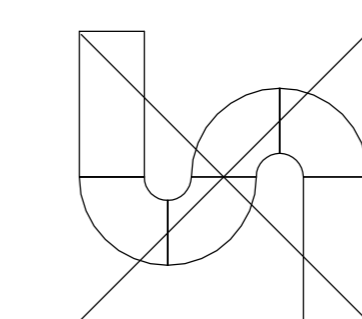


ELBOW

(AVOID 90° ELBOW - USE 2 45° ELBOW or BIG RADIUS FITTINGS)



FORBIDDEN TRAPS, GOOSE NECK OR SIMILAR ON PIPES NET



- Inside the dehydrating area is necessary to provide electrical cables:
- * from tank to dehydra electrical panel (power supply command, three-phase 400V)
 - * from tank to dehydra electrical pane (low voltage output level sensor, 24V)
 - * I/O consensus to/from FWD -junction box (low voltage lines, 24V)

